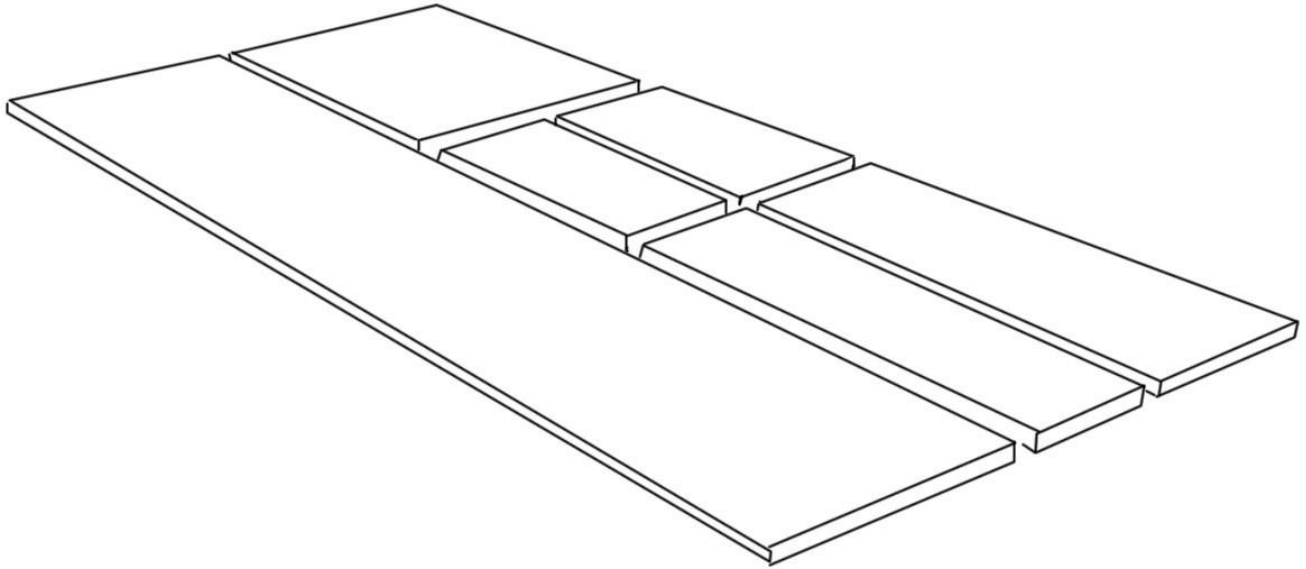


Sheet Cutting



We are pleased to offer a sheet material cutting service for plywood, MDF and most sheet material requirements.

Acorn: Offering the 'cutting edge' for sheet material.